

All officials are members of the New York State Wrestling Officials Association and have been appointed by the Intersectional Wrestling Committee.

	PRELIMINARIES	QUARTER-FINALS	SEMI-FINALS	FINALS	PLACE WINNERS
91 Pound Class	4. Troy Monks-2 (Odessa-Montour)	5. Bob Zoeker-3 (McQuaid)	5 ZOEKER 12-6	5 ZOEKER	Champion 8 PIGEON 11-10
	9. Obed Morales-4 (North Rockland)	4 MONKS 6-3	5 ZOEKER 12-6	4-0	Second 5 ZOEKER
	11. Sal Fava-4 (Hampton Bays)	0. Chris Corr-2 (St. John the Baptist)	11 FAVA 9-2	4-0	Third 11 FAVA 17-5
	6. Tim Shifflet-1 (Sweet Home)	11 FAVA 10-1	11 FAVA 9-2		Fourth 3 YOUNDS
	3. Doug Younds-1 (Morrisville-Eaton)	7. Clint Duval-3 (Peru)	7 DUVAL 01:33		Fifth 9 MORALES 4-2
	2. John Denney-2 (Scotia-Glenville)	2 DENNEY 7-5	7 DUVAL 01:33		Sixth 7 DUVAL
	P. Marco Gomez-1 (Bushwick)	1 SIMON 9-3	8 PIGEON		
	1. David Simon-3 (Woodlands)	8 PIGEON 9-0	8 PIGEON		
	10. Darren Bush-1 (Gouverneur)	8 PIGEON 9-0	20-2	18-6	
	8. Richard Pidgeon-2 (Locust Valley)				
98 Pound Class	11. John Billi-2 (North Babylon)	P. James Wilson-4 (Stevenson)	11 Billi 1:51	5 Hibbard	Champion 8 MEJIAS 01:42
	1. Roger Quesnel-3 (John Jay-E. Fskl)	11 B.lli 13-6	11 Billi 1:51	5 Hibbard	Second 5 Hibbard
	2. Phillip Arisman-4 (Queensbury)	5. Butch Hibbard-2 (Canandaigua)	5 HIBBARD 8-3	6-3	Third 11 Billi 11-5
	C. John DeMaro-2 (Maria Regina)	2 ARISMAN 6-2	5 HIBBARD 8-3	6-3	Fourth 9 FISCHBEIN
	3. David Gleeson-4 (Canastota)	6. Dana Manno-4 (Jamestown)	9 FISCHBEIN 8-7	9 FISCHBEIN 2-1	Fifth 7 CHARLAND 2:55
	9. Steven Fischbein-3 (Monroe-Wbury)	9 FISCHBEIN 8-7	9 FISCHBEIN 2-1	MEJIAS	Sixth 4 FRANKLIN
	7. Al Charland-2 (No. Adirondack)	7 CHARLAND 2-0	8 MEJIAS	8	
	4. Doug Franklin-4 (Norwich)	8 MEJIAS 10-4	9-0	11-2	
	8. Dennis Mejias-3 (Mepham)				
	10. Matt Brown-3 (Herman DeKalb)				
105 Pound Class	C. Dan Dugan-4 (Chaminade)	P. Pedro DeJesus-3 (W.S. Bryant)	4 PENRITH 1:38	PENRITH	Champion 4 PENRITH 12-4
	4. Bret Penrith-3 (Windsor) 3:00	4 PENRITH 4-2	4 PENRITH 1:38	PENRITH	Second 5 LAMPHIER
	2. Shawn Sheldon-4 (Voorheesville) 2:00	7. Rob Wilkiewicz-2 (No. Adirondack)	2 SHELDON 4:54	4	Third 2 SHELDON 14:01
	10. Avery Brown-4 (Herman DeKalb)	2 SHELDON 10-2	2 SHELDON 4:54	4	Fourth 3 PAULEY
	9. Phil Consiglio-2 (North Rockland)	5. Paul Lamphier-2 (Canandaigua)	5 LAMPHIER 2-1	LAMPHIER	Fifth 11 DONAHUE 9-1
	1. Victor Spinelli-3 (White Plains)	9 CONSIGLIO 7-4	5 LAMPHIER 2-1	LAMPHIER	Sixth 9 CONSIGLIO
	6. Rob Waddington-2 (Falconer)	8 AMELIA 15-4	3 PAULEY	5	
	8. Alan Amelia-3 (Mepham)	3 PAULEY 1-0	3 PAULEY	8-7	
	3. John Pauley-4 (New Hartford)				
	11. Bob Donahue-4 (Newfield)				
112 Pound Class	P. Fabian Thompson-4 (D'Wit Clin)	2. Jeff Clark-3 (Voorheesville)	2 CLARK 10-2	CLARK	Champion 2 CLARK 7-4
	3. Rob Allen-4 (Baldwinsville)	3 ALLEN 01:4-0	2 CLARK 10-2	CLARK	Second 11 PLANTE
	7. Brent Hollamby-4 (Peru)	10. Willie Faro-2 (Clifton-Fine)	7 HOLLAMBY 9-1	2	Third 4 ERNEY 2-0
	9. Jose Munoz-4 (North Rockland)	7 HOLLAMBY 6-3	7 HOLLAMBY 9-1	11-2	Fourth 7 HOLLAMBY
	4. Trevor Erney-2 (Maine-Endwell)	C. Brian McGuinty-4 (Chaminade)	4 ERNEY 3-2		Fifth 8 WARREN 2-0
	1. Lenny Balducci-3 (Irvington)	4 ERNEY 10-0	4 ERNEY 3-2		Sixth 2 MCGUINTY
	6. Mark Hetrick-4 (Maple Grove)	6 HETRICK 11-6	11 PLANTE	11 PLANTE	
	5. Ted Pettinaro-4 (Webster-Schrdr)	11 PLANTE 6-3	11 PLANTE	10-0	
	11. Joe Plante-3 (Brentwood)				
	8. Willie Warren-3 (Freeport)				
119 Pound Class	3. Kevin Johnson-4 (Baldwinsville)	7. Mike Prenoveau-4 (Peru) 2:00:20	3 JOHNSON 6-5	3 JOHNSON	Champion 5 MARY KING 2-1
	1. David Ridnall-2 (Bronxville)	3 JOHNSON 9-2	3 JOHNSON 6-5	3 JOHNSON	Second 3 JOHNSON
	9. Anibal Nieves-3 (Ellenville)	11. Scott Detore-4 (Hauptausage)	4 PENRITH 16-7	1:33	Third 11 DETORE 6-5
	4. Brad Penrith-4 (Windsor) 3:10	4 PENRITH 1:49	4 PENRITH 16-7	1:33	Fourth 4 BRAD PENRITH
	10. Terry White-3 (Franklin Acad.)	C. Peter Catapano-4 (St. Anthony's)	2 FERRI 9-5		Fifth 6 WADDINGTON 13-2
	2. Patrick Ferri-4 (Mohonasen)	2 FERRI 7-0	2 FERRI 9-5		Sixth 3 FERRI
	6. Jeff Waddington-4 (Falconer)	6 WADDINGTON 9-1	5 KING	5 KING	
	P. Thomas Wilder-4 (Alfred E. Smith)				
	8. Patrick Jones-4 (Massapequa)				
	5. Marty King-3 (Canandaigua)				

Number following wrestler's name indicates school year. 1-FR, 2-SOPH, 3-JR, 4-SR.

COMPUTERS AND WRESTLING COME OF AGE

As an experiment, this year's tournament will have at its head table a computer system that will incorporate the scoring and bracketing of all the weight classes. Operating the Apple II System will be Mark and Don Lindell from Section 2 of the Albany area.

	PRELIMINARIES	QUARTER-FINALS	SEMI-FINALS	FINALS	PLACE WINNERS
126 Pound Class	2. Todd Messitt-4 (Mt. Pleasant) 24-0	P. Joe DeJesus-3 (Far Rockaway)	6 LEDER 2:26	6 LEDER	Champion 8 ARENA 13-5
	6. Ron Leder-3 (Salamanca)	6 LEDER 7-5	3 BALOG 10-6	6 LEDER	Second 6 LEDER 16-3
	7. Terry Guynup-3 (Beekmantown)	3. John Balog-4 (Rome Free Acad.)	3 BALOG 10-6	13-9	Third 11 IANNUZZI
	5. Tim Quinn-3 (East Rochester)	5 QUINN 1:22	4 GUMBLE 9:22	ARENA	Fourth 2 MESSITT
	10. Rich O'Donnell-3 (Gouverneur)	4. Mark Gumble-4 (Maine-Endwell)	4 GUMBLE 9:22	ARENA	Fifth 3 BALOG 7-3
	9. Alberto Nieves-3 (Ellenville)	9 NIEVES 9-2	8 ARENA 1-0	8 ARENA	Sixth 4 GUMBLE
	11. Joe Iannuzzi-4 (Brentwood)	8 ARENA 1-0	1 SULLIVAN 5-4	1:56 8-2	
132 Pound Class	1. Steve Sullivan-4 (Mahopac)	1 SULLIVAN 5-4	1:56 8-2		
	P. Keith Biancomono-3 (Stuyvesant)	3. Dan Keating-4 (New Hartford)	9 FERRANTE 4:56	9 FERRANTE 6-5	Champion 10 YOZZO 18-6
	9. Tim Ferrante-4 (New Paltz)	9 FERRANTE 4:56	4 DEPERSIS 3-2	4 DEPERSIS 2-1	Second 9 FERRANTE
	4. Angelo DePersis-3 (Union-Endcott)	1. Scott Harrell-3 (Kingston)	4 DEPERSIS 3-2	4 DEPERSIS 2-1	Third 5 DEANGELIS 9-7
	6. Dave Zariczny-4 (Salamanca)	4 DEPERSIS 3-2	11 YOZZO 21-9	11 YOZZO 3:45	Fourth 6 ZARICZNY
	11. Peter Yozzo-4 (Sayville)	2. Mike Saltsman-4 (Johnstown)	11 YOZZO 21-9	11 YOZZO 3:45	Fifth 3 KEATING
	10. Gerald Harle-4 (Gouverneur)	11 YOZZO 21-9	5 DEANGELIS 8-4	5 DEANGELIS 8-2	Sixth 4 DEPERSIS
138 Pound Class	8. Chris Amella-4 (Mepham)	5 DEANGELIS 8-4	5 DEANGELIS 8-2	11 YOZZO 10-6	
	5. Angelo DeAngelis-4 (Spencerport)	7 PARKER 1-0	11 WASHERRY 2-0	6 SLADE 2-1	Champion 3 AKLEY 2:35
	C. Tom Quinn-4 (St. Anthony's)	7 PARKER 1-0	4 ERNEY 1:06	11 WASHERRY 2-0	Second 6 SLADE
	7. Scott Parker-4 (Peru)	7 PARKER 1-0	10 SERVISS 7-0	6 5-0	Third 11 MCSHERRY 9-5
	C. John Wood-3 (Holy Family)	11. Tom McSherry-4 (Hampton Bays)	11 WASHERRY 2-0	6 SLADE 2-1	Fourth 5 VALANTIN
	4. Troy Erney-4 (Maine-Endwell)	4 ERNEY 1:06	3 AKLEY 1:49	3 AKLEY 1:49	Fifth 5 MINCKER 4-2
	10. Steve Serviss-4 (Gouverneur)	6. Todd Slade-4 (Iroquois)	6 5-0	6 SLADE 2-1	Sixth 2 SABO
145 Pound Class	7. Keith Provost-4 (Beekmantown)	10 SERVISS 7-0	6 5-0	6 SLADE 2-1	
	8. Herb Valentin-4 (Long Beach)	P. Mike Koniczky-4 (Susan Wagner)	3 AKLEY 1:49	3 AKLEY 1:49	Champion 5 SUHR 7-6
	3. Brian Akley-4 (Oswego)	3 AKLEY 1:49	2 SABO 5-1	3 3:35	Second 5 SUHR
	2. Mark Sabo-2 (Granville) 29-3-1	2 SABO 07:32	5 SUHR 11-0	5 SUHR 4-3	Third 3 NAREWSKI 9-4
	9. Jim Kelly-4 (Clarkstown North)	2 SABO 07:32	2 GUGLIELMO 11-6	2 GUGLIELMO 3:23	Fourth 2 GUGLIELMO
	1. James Howe-4 (Brewster)	5 MINCKER 7-4	9 FISCHBEIN 3-1	9 FISCHBEIN 1-0	Fifth 5 ANGLIM 4:30
	5. Tim Mincer-4 (Canandaigua)	5 MINCKER 7-4	8 ANGLIM 7-4	8 ANGLIM 2:15	Sixth 11 LASORSA
155 Pound Class	5. John Suhr-3 (Spencerport)	C. Kelvin Young-4 (Holy Family)	5 SUHR 11-0	5 SUHR 4-3	Champion 2 CARDI 3-1
	11. Ron Lasorsa-3 (Bay Shore)	5 SUHR 7-5	2 GUGLIELMO 11-6	2 GUGLIELMO 3:23	Second 4 VREDENBURG 7-2
	4. Dan Peterson-4 (Unatego)	10. Frank Perry-4 (Massena)	2 GUGLIELMO 11-6	2 GUGLIELMO 3:23	Third 4 VREDENBURG 7-2
	2. John Guglielmo-4 (Queensbury)	2 GUGLIELMO 11-6	9 FISCHBEIN 3-1	9 FISCHBEIN 1-0	Fourth 6 DEBOLT
	3. Mike Narewski-4 (Fulton)	7. Nate Richert-3 (Peru)	9 FISCHBEIN 3-1	9 FISCHBEIN 1-0	Fifth 3 MERRITT 2:24
	9. Gary Fischbein-4 (Monroe-Wbyri)	9 FISCHBEIN 3-1	8 ANGLIM 7-4	8 ANGLIM 2:15	Sixth 10 PERRIGO
	8. Jon Anglim-4 (Levittown Division)	8 ANGLIM 7-4	6 SLADE 13-7	6 SLADE 2:15	
155 Pound Class	1. Paul Radomski-3 (Ardsey)	6 SLADE 13-7	6 SLADE 2:15	11-0	
	P. Jose Rivera-4 (Stevenson)	4 VREDENBURG 0:55	4 VREDENBURG 0:55	2 CARDI 8-2	Champion 2 CARDI 3-1
	6. Timm Slade-4 (Iroquois)	4 VREDENBURG 0:55	2 CARDI 4:54	2 CARDI 4:54	Second 4 VREDENBURG 7-2
	4. Bob Vredenburg-4 (Chenango Fks)	1. Clifton Grant-2 (Mt. Vernon)	2 CARDI 4:54	2 CARDI 4:54	Third 4 VREDENBURG 7-2
	11. Arun Chanana-4 (Shorhnm-Wding Rv)	4 VREDENBURG 0:55	10 PERRIGO 16-4	10 PERRIGO 16-4	Fourth 6 DEBOLT
	2. Jon Cardi-4 (Burnt Hills)	C. Gerry Timms-4 (Holy Family)	10 PERRIGO 16-4	10 PERRIGO 16-4	Fifth 3 MERRITT 2:24
	9. Steve Pisciotta-3 (New Paltz)	2 CARDI 16-2	5 KURLANDER 5-3	5 KURLANDER 5	Sixth 10 PERRIGO

PAVONE'S PIZZA

349 So. Warren St. — 1½ blocks from Hotel

Hours: 10:00 a.m. - 11:00 p.m.

WRESTLERS — HUNGRY FOR PIZZA?

FREE DELIVERY TO YOUR ROOM — CALL 471-1980

Specializing in Neapolitan and Sicilian Pizzas,

Italian Calzone, Hot and Cold Sandwiches, Baked Zita

Tournament Format . . .

Double elimination is in use during the course of the tournament. A competitor losing his first bout is still eligible to wrestle-back for third place honors. Up-to-date wall charts will be posted in the outer corridors for reference.

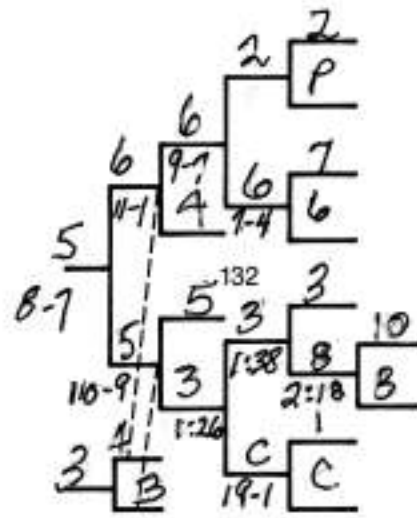
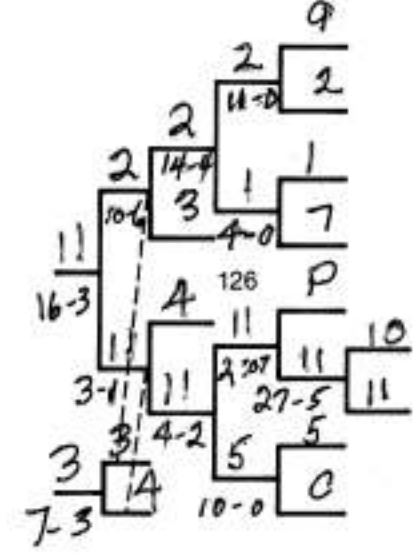
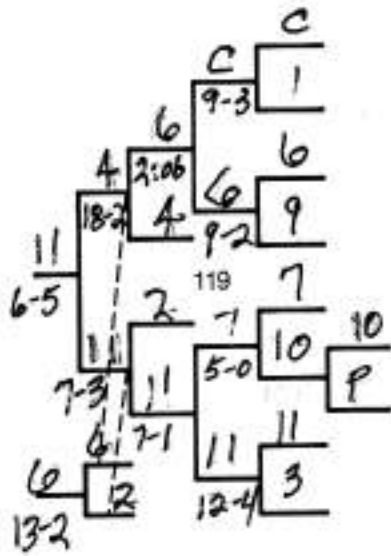
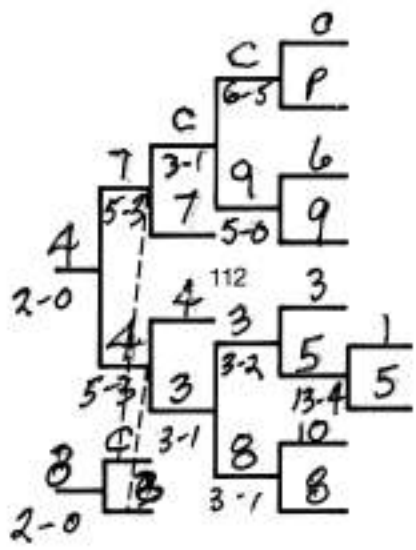
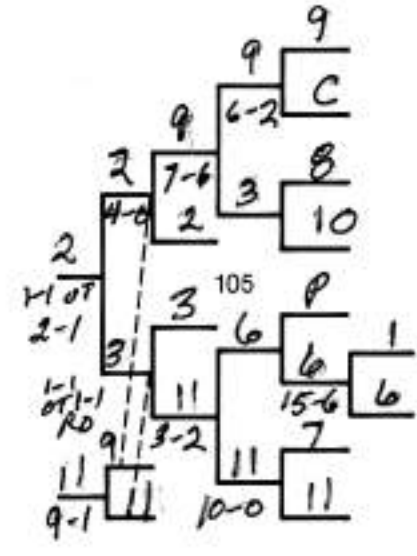
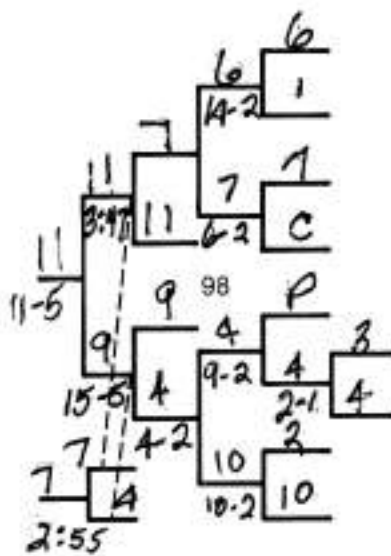
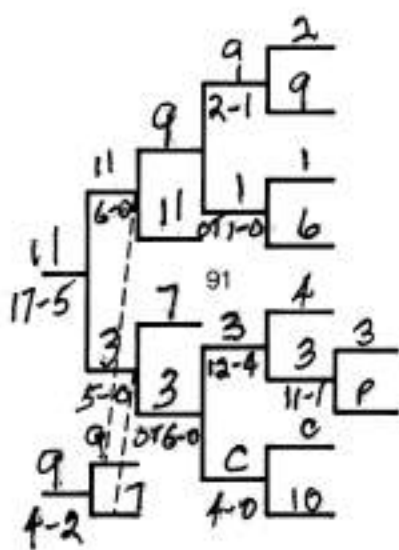
Head Table Personnel:
 Bill Neufang—Announcer
 Statistician and Scorekeeper
 Charlie Davis—Assistant Scorekeeper
 1984 Tournament will be held in Syracuse
 on March 2-3

	PRELIMINARIES	QUARTER-FINALS	SEMI-FINALS	FINALS	PLACE WINNERS	
167 Pound Class	8. Mike Seckler-4 (Massapequa)	C. Mark DeAngelis-4 (St. John the Baptist)	8 SECKLER 15-4	8 SECKLER 10-7	11 HUBBARD	Champion 28-0 11 HUBBARD 5-3
	10. Jeff Lancto-4 (Gouverneur)					Second 4 PETERSON
	3. Mike Relyea-4 (Canastota)	11. Rob Hubbard-4 (Bay Shore)		11 HUBBARD 6-2	7-2	Third 8 SECKLER 7-2
	7. Shannon Carter-4 (Beekmantown)	3				Fourth 5 SALZMAN
	9. Paul Bailey-3 (Nanuet)	P. Mal Levine-4 (JFK)		4 PETERSON 2:32	4 PETERSON	Fifth 2 GARCIA 5-
	4. Don Peterson-4 (Unatego) 29-1	4 PETERSON 3-1				Sixth 9 BIRNEY
	1. Patrick Ball-4 (Arlington)					
	2. Junior Garcia-3 (Amsterdam)	2 GARCIA 7-4		5 SALEMAN 3:23	11-4	
	6. Rod Duttweiler-4 (Clarence)	5 SALEMAN 12-5				
5. Steve Salzman-4 (Brighton)						
177 Pound Class	11. Dan Mayo-4 (Sachem) 24-0	2. Mike Hines-3 (Queensbury)	11 MAYO 3:01	11 MAYO 18-0	11 MAYO	Champion 26-0 0:39 11 MAYO
	10. Brent Poirier-4 (Massena)	1. Brian Silcott-4 (Fox Lane)		1. SILCOTT 12-2	17-1	Second 5 SCHOLJAN
	3. Pat Conners-3 (Baldwinsville)		3 3-3 OT			Third 6 SMOLINSKY 9-1
	8. Dempsey Wilson-4 (Lawrence)					Fourth 1 BIRNEY
	6. Ron Smolinsky-4 (Hamburg)	C. Carl Michalewski-4 (St. Francis)	6 SMOLINSKY 1:42	6 SMOLINSKY 5-1	5 SCHOLJAN	Fifth 2 HINES 2-1
	7. Chuck Hensley-3 (Peru)					Sixth 6 MICHALEWSKI
	4. Jon Buhner-4 (Sherburne-Earville)					
	5. Chris Scholjan-2 (East Rochester)	5 SCHOLJAN 11-5		5 SCHOLJAN 3-2	OT 1-1 RD	
	9. Nunzio DeGregorio-2 (Pearl River)	9 DELEGORIO 26-0				
P. Les Kramsky-4 (Tottenville)						
215 Pound Class	10. Eric Tessmer-3 (Gouverneur)	1. Dan Macca-3 (Irvington)	9 LADKA 3:28	9 LADKA 3:21	9 LADKA	Champion 27-0 11 GREGORY 9-1
	9. Tom Ladka-4 (Monroe-Woodbury)	P. James Benton (FDR)		P BENTON 3:24	6:55	Second 9 LADKA 3-
	7. Frank Mercier-4 (Peru)					Third 2 TIRONI 10-2
	8. Charles Georgalas-4 (Lynbrook)	C. Kevin Keane-3 (St. Anthony's)	8 GEORGALAS 2-0	P BENTON 18-2	11 GREGORY	Fourth 8 BENTON
	4. Tim Pidgeon-4 (Oneonta) 27-1					Fifth 3 WILLIAMS 7-3
	3. Stan Williams-4 (Fowler)		3 WILLIAMS OT 7-2			Sixth 6 GEORGE
	6. Jim George-4 (Pioneer)		6 GEORGE 12-8			
	5. Steve Matthews-4 (LeRoy)					
	11. Ted Gregory-4 (East Islip) 15-0	11 GREGORY 4-2		11 GREGORY 1:21	2:59	
2. Chris Tironi-3 (Mechanicsville)						
250 Pound Class	5. John Brennan-4 (Pittsford) 31-1	7. Kevin Manor-3 (No. Adirondack)	5 BRENNAN 5:00	5 BRENNAN 5:28	BRENNAN	Champion 5 BRENNAN 6-2
	2. Dave Mitchell-4 (Ballston Spa)	6. John Helgren-4 (Maple Grove)				Second 3 MORRISON
	4. Steve Hall-4 (Unatego)		4 HALL 1:21	4 HALL 4-3	5 5-1	Third 4 HALL 2-1
	C. Chris Draddy-4 (Xaverian)					Fourth 10 GRANGER
	1. Robert White-3 (White Plains)	P. Dennis Brown-4 (W.C. Bryant)	3 MORRISON 3:22	3 MORRISON 1:32	3 MORRISON	Fifth 2 MITCHELL 1:28
	3. Randy Morrison-3 (Lowville)			6-5		Sixth 6 HELGREN
	11. Larry Iacono-3 (Sachem)		9 GALINDEZ 2-0			
	9. Pete Galindez-4 (Suffern)					
	10. Brian Granger-4 (Massena)		10 GRANGER 4:52		5:47	
8. Randy Douglas-4 (Valley Steam S.)						

The Wrestling Committee, wrestlers and coaches wish to thank **Bob Merrow of Hertz Used Car Sales** (Hertz Corporation) at 49½ South Bay Rd., North Syracuse, for the exclusive use of their fine vehicles throughout the duration of the tournament.

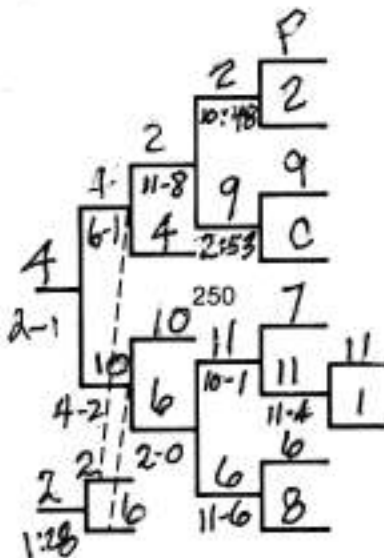
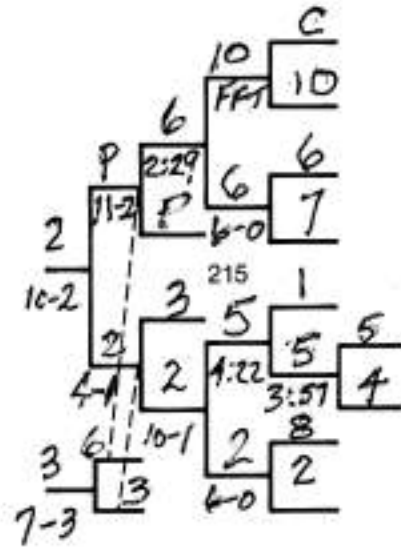
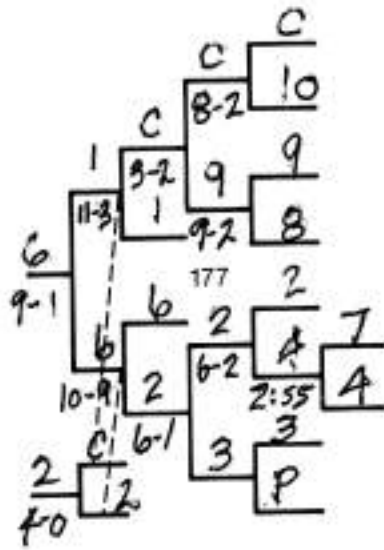
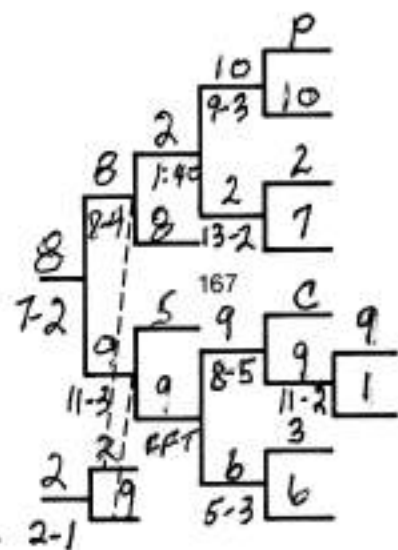
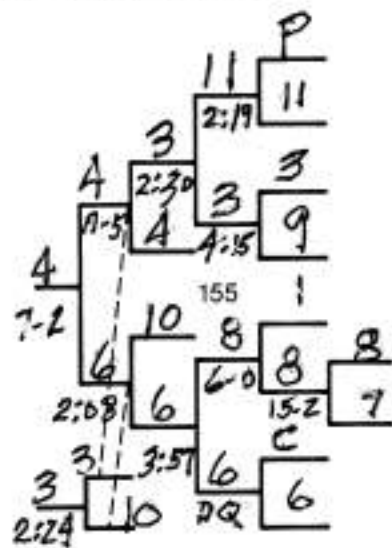
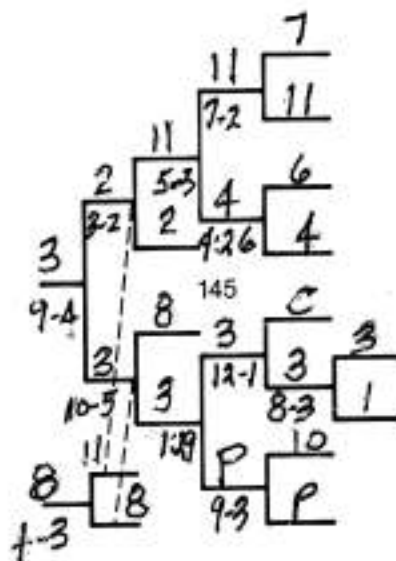
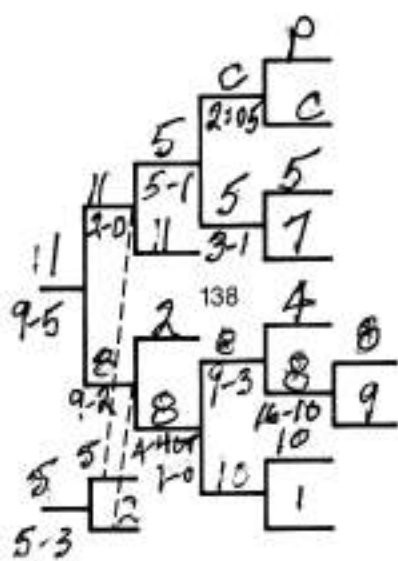
CONGRATULATIONS TO THE FINEST
 WRESTLERS IN THE EMPIRE STATE
 N.Y.S.SCHOLASTIC
 SPORTSWRITER'S ASSOCIATION

WRESTLE—BACK BRACKETS



CHECK WALL CHARTS IN CORRIDOR FOR CORRECT POSITIONS.

WRESTLE—BACK BRACKETS



CHECK WALL CHARTS IN CORRIDOR FOR CORRECT POSITIONS.